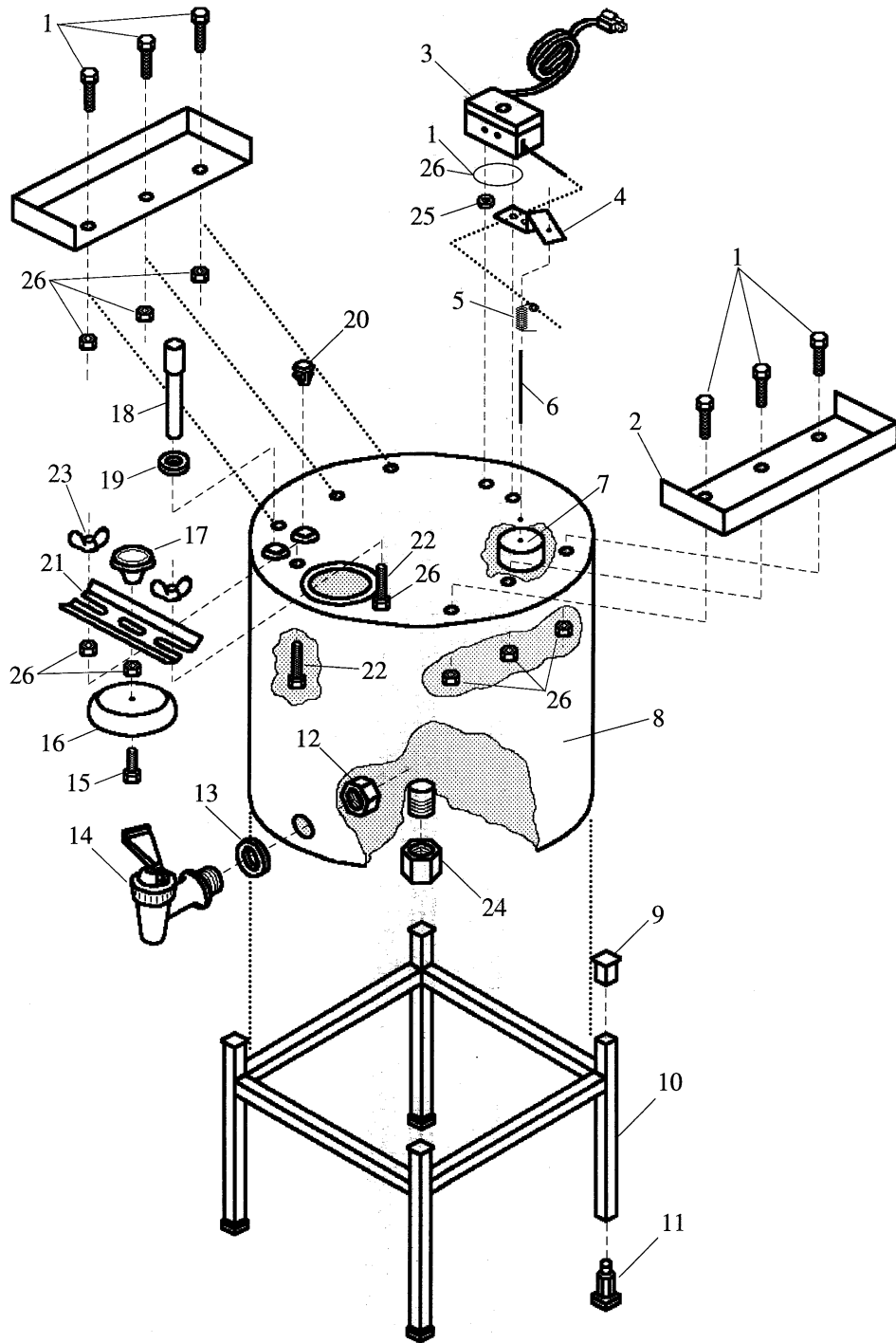


96 Liter (25 Gallon) Stainless Steel Storage Tank 115 volt Float Control Catalogue # 400106



Model 96 Liter Storage Tank Parts List

Item #	Part #	Qty	Description
1	300054	8	Stainless Steel Bolts, 1/4-20 x 1/2" hex
2	125010	2	Distiller Support
3	400041	1	Float Box Assembly
4	100039	1	Float Guide "Z" Bracket
5	200012	1	Float Spring Clip
6	100027	1	Float Stem, 3 1/4" stainless steel rod (threaded)
7	200053	1	Float, (clear plastic)
8	400184	1	Welded Storage Tank Assembly
9	200169	4	CAPLUG
10	400181	1	Stand Assembly
11	200059	4	Caster Insert
12	300113	1	3/8" Hex Nut (black poly) on Faucet
13	300163	1	Faucet Washer
14	400536	1	MSBH Faucet with stainless steel insert
15	300057	1	Stainless Steel Bolts, 1/4-20 x 1" hex
16	100073	1	Lid (formed)
17	200056	1	Lid Knob
18	100052	1	4" Filler Tube
19	100053	1	Round Filler Tube Gasket
20	200049	1	3/8" HEYCO Hole Plug
21	100018	1	Lid Crossbar
22	300059	2	Stainless Steel Bolts, 1/4-20 x 1 1/2" hex
23	300126	2	Wing Nut, 1/4-20
24	300274	1	1/2" QUEST Cap
25	300176	1	Washer, stainless steel 5/16" ID x 5/8" OD (1/4" SAE FCW)
26	300106	11	1/4-20 Hex Nuts

DURASTILL

4200 NE Birmingham Rd. • Kansas City, MO 64117
(816) 454-5260 • FAX (816) 452-7581

Installation of the Faucet

The black nylon faucet is installed in the water tank as pictured below in figure 1:

Place the black seal washer over the threaded portion of the faucet and then insert the faucet into the hole on the front wall of the tank, see figure 2. Install the black plastic nut, from the inside of the tank, onto the threaded portion of the faucet being careful to avoid cross-threading, see figure 3. Usually, it is sufficient to hold the black plastic nut by hand while turning the faucet to tighten the unit in place.

