



# Barnstead Nanopure™ TOC - UV

*ultrapure water system*

Operation Manual  
*Series 2115 and 2117*

<u>Model No.</u>	<u>Voltage</u>
D11951	100V - 240V
D12421	100V - 240V

---

# Table of Contents

Safety Information .....	3
Alert Signals .....	3
Warnings .....	3
Introduction .....	5
General Usage .....	5
General Specifications .....	6
Environmental Conditions .....	7
Declaration of Conformity .....	7
Unpacking .....	8
Installation .....	9
Choosing a Site .....	9
UV Lamp Installation .....	10
Other Accessories .....	10
Bench Mounting .....	11
Wall Mounting .....	11
Installing the Control Panel in a Remote Location .....	12
Water Connections .....	13
Tubing Installation .....	14
Electrical Connections .....	14
Controls .....	15
Main Power Switch .....	15
Control Panel .....	15
Switches .....	16
Initial Operation .....	17
Cartridge Pack Installation .....	17
Initial Rinse .....	18
System Cleaning Procedure .....	19
Normal Operation .....	21
Dispensing Water .....	22
Automatic Dispensing .....	22
User Settings .....	23
Adjusting Display Brightness .....	23
Setting the Displayed Language .....	23
Setting the Date and Time .....	24
Setting the Cell Constant .....	25
Use of Standby Mode .....	26
Selecting the Set Point .....	26
Resetting the Cleaning Timer .....	27
Resetting the UV Timer .....	28
Resetting the TOC Lamp Timer .....	28
Using the TOC Analyzer .....	29
Setting Volumetric Dispensing .....	30
Setting Timed Dispensing .....	30
Performing a System Flush .....	31
Changing Purity Units .....	31
Temperature Compensation .....	31
Auto Standby .....	32
Unit Under Counter .....	32
Accessories .....	34
Feedwater Float or Pressure Switch .....	34
Dispense Overflow Cutoff Float .....	35
Performing an Electronic Calibration Using the Optional N.I.S.T. Calibration Module .....	36
Manual Remote Dispenser and Accudispense Volumetric Remote Dispenser .....	37
Computer/Printer Setup .....	38
Connecting Nanopure to Computer and Communicating Through the RS-232 Port Using Hyperterminal or Procomm .....	38
Connecting and Starting the Printer .....	40
Printer Setup .....	41
Maintenance and Servicing .....	42
General Cleaning Instructions .....	42
Cell Cleaning .....	42
System Cleaning .....	43
System Depressurization .....	44
Cartridge Pack Replacement .....	45
0.2 Micron Filter Replacement .....	46
UV Lamp Replacement .....	47
TOC Lamp Replacement .....	48
Fuse Replacement .....	48
Shutdown .....	49
Troubleshooting .....	50
Replacement Parts .....	54
Flow Chart .....	56
Wiring Diagram .....	57
Ordering Procedures .....	58
Two Year Limited Warranty .....	60

# Safety Information

---

## Alert Signals



### Warning

Warnings alert you to a possibility of personal injury.



### Caution

Cautions alert you to a possibility of damage to the equipment.



### Note

Notes alert you to pertinent facts and conditions.



### Note

The UV lamp contains mercury. If broken or no longer needed, do not dispose of the UV lamp in the trash. Recycle or dispose of the UV lamp as hazardous waste.

Your Thermo Scientific Barnstead Nanopure TOC - UV ultrapure water system has been designed with function, reliability, and safety in mind. It is your responsibility to install it in conformance with local electrical codes. This manual contains important safety information. You must carefully read and understand the contents of this manual prior to the use of this equipment. For safe operation, please pay attention to the alert signals throughout the manual.

Water purification technology employs one or more of the following: chemicals, electrical devices, mercury vapor lamps, steam and heated vessels. Care should be taken when installing, operating or servicing Barnstead products. The specific safety notes pertinent to this Barnstead product are listed below.

---

## Warnings

### To avoid electrical shock, always:

1. Use a properly grounded electrical outlet of correct voltage and current handling capacity.
2. Do not locate the Nanopure TOC - UV directly over equipment that requires electrical service. Routine maintenance of this unit may involve water spillage and subsequent electrical shock hazard if improperly located.
3. Replace fuses with those of the same type and rating.
4. Disconnect from the power supply prior to maintenance and servicing.

### To avoid personal injury:

1. Do not use in the presence of flammable or combustible materials; fire or explosion may result. This device contains components which may ignite such materials.
2. This device is to be used with water feeds only. Cleaning agents must be used in compliance with instructions in this manual. Failure to comply with the above could result in explosion and personal injury.

---

## SAFETY INFORMATION

3. Avoid splashing cleaning solutions on clothing or skin.
4. Ensure all piping connections are tight to avoid chemical leakage.
5. Ensure adequate ventilation.
6. Carefully follow manufacturer's safety instructions on labels of chemical containers and material safety data sheets.
7. Depressurize system prior to removing the cartridge pack.
8. This unit is equipped with an ultraviolet lamp. Ultraviolet radiation is harmful to the eyes and skin. Do not attempt to observe the lamp directly.
9. Refer servicing to qualified personnel.
10. A full cartridge pack may weigh about 20 lbs.

---

# Introduction

Congratulations on your purchase of a Barnstead Nanopure TOC - UV ultrapure water system. This water purification system is designed to provide low TOC, high resistivity, reagent grade water that exceeds ASTM Type I, ISO 3696 and CLSI-CLRW Type I standards. It uses a four-stage deionization process combined with a UV lamp and a 0.2 micron filter to polish suitable feed water (distilled, deionized, or reverse osmosis) to produce low TOC (<5 ppb) water with a resistivity of up to 18.2 megohm-cm. Water resistivity is continuously monitored by a resistivity cell and displayed on a digital display. Actual system TOC values, obtained by an integrated TOC analyzer, can be concurrently displayed with the resistivity.

The electronics can be verified and calibrated utilizing a N.I.S.T. Traceable Calibration module. See accessory ordering information.

Please read the instructions carefully to ensure that you receive maximum benefit from the Nanopure UV. Also, please fill out and return the enclosed warranty registration card as it will help us assure you of proper warranty coverage.

---

## General Usage

Do not use this product for anything other than its intended usage.

---

# General Specifications

---

## Dimensions and Clearance Requirements

---

### Dimensions

13.5" W x 19.5" H x 17.0" D (34.3 x 49.5 x 43.2 cm)

---

### Clearances

Sides - 9" (22.9 cm) minimum for servicing.

Above - 3" (7.6 cm) minimum for removal of the top cover.

Front - 4.75" (12.1 cm) minimum for opening the front door.

---

## Feed Water Requirements

Types	RO, DI, distilled.
TOC	Less than 1.0 ppm.
Turbidity	1.0 N.T.U. maximum.
Pressure Range	Gravity feed to 100 psig (7kg/cm <sup>2</sup> ) maximum.
Temperature Range	4°C - 40°C (40-104°F)
TDS (CaCO <sub>3</sub> )	< 70 ppm
Silica	< 1 ppm
Silt	< 5% SDI

---

## Product Water

---

### Water Quality

Resistivity	> 18.2 mΩ-cm
TOC	Less than 5 ppb
Bacteria	< 0.01 CFU/mL

---

### Flow Rate

Up to 2 lpm maximum at minimum inlet feed water pressure 10 PSIG with a new final filter.

---

### Volumetric Dispense

Accuracy: ± 5%

Repeatability: ± 3%

---

### TOC Analyzer

Range	1 to 250 ppb
Accuracy	±1 ppb or ±15% (whichever is greater)
Cycle Time	≤ 3.5 minutes
Water Consumption	≤ 15 ml per cycle
Min. Water Resistivity	> 10 MΩ for specified accuracy

---

## Electrical Requirements

The Nanopure TOC - UV is equipped with 2 power cords to be plugged into an electrical outlet of the appropriate voltage.

U.K. customers use cord, CRX100 and fuses for 240V installation.

Model D11951, D12421 100-240 VAC, 100 watts, 47-63 Hz, 1 phase

---

## Environmental Conditions

Operating: 4°C - 40°C; 20% to 80% relative humidity, non-condensing. Installation Category II (over-voltage) in accordance with IEC 664. Pollution Degree 2 in accordance with IEC 664.

Altitude limit: 3,500 meters.

Storage: -25°C to 65°C; 10% to 85% relative humidity.

---

## Declaration of Conformity

We hereby declare under our sole responsibility that this product conforms with the technical requirements of the following standards:

EMC: EN 61000-3-2 Limits for Harmonic Current Emissions  
EN 61000-3-3 Limits for Voltage Fluctuations and Flicker  
EN 61326-1 Electrical Equipment for Measurement, Control, and Laboratory Use; Part I: General Requirements

Safety: EN 61010-1 Safety Requirements for Electrical Equipment for Measurement, Control and Laboratory Use; Part I: General Requirements

per the provisions of the Electromagnetic Compatibility Directive 89/336/EEC, as amended by 92/31/EEC and 93/68/EEC, and per the provisions of the Low Voltage Directive 73/23/EEC, as amended by 93/68/EEC.

The authorized representative located within the European Community is:

Thermo Fisher Scientific  
419 Sutton Road  
Southend On Sea  
Essex SS2 5PH  
United Kingdom

Copies of the Declaration of Conformity are available upon request.

---

# Unpacking

1. Remove the unit from its shipping container. Remove all contents carefully. **Ensure that the UV lamp, feed and drain tubing, cleaning cartridge, wall bracket, accessory parts bag and power cords (see list below) are removed from the packaging materials before discarding.** Put the Nanopure TOC - UV on a bench.

UV Lamp	LMX13
Cleaning Cartridge	CMX25
Wall Bracket (Unit)	BC1190X12
Wall Bracket (Remote Display)	BC1190X10

**Accessory Parts Bag Includes:**

Feed Water Tube, 3/8" O.D.	TU1119X7
Drain Tube, 1/4" O.D.	TU1190X12
Display Cable	WHX20
Blank Display	DL1190X18
Plug Adapter	CEX42
Power Cords	

**Also required for installation:**

\* Customer Supplied Fasteners to mount unit and remote display.



# Installation



## Caution

Wall composition, condition and construction as well as fastener type must be considered when mounting this unit. The mounting surface and fasteners selected must be capable of supporting a minimum of 150 lbs.(68 kg). Inadequate support and/or fasteners may result in damage to mounting surface and/or equipment. If you are unsure of mounting surface composition, condition and construction or correct fasteners, consult your building maintenance group or contractor.



## Warning

Do not locate the Nanopure TOC - UV directly over equipment that requires electrical service. Routine maintenance of this unit may involve water spillage and subsequent electrical shock hazard if improperly located.

Do not use in the presence of flammable materials; fire or explosion may result. This device contains components which may ignite such materials.



## NOTE \*\*\*\*\*

***The outlet of a gravity feed storage reservoir must be above or at the same level as the inlet of the Nanopure TOC - UV.***

\*\*\*\*\*

## Choosing a Site

The Nanopure TOC - UV features a removable control panel display which allows the system to be mounted almost anywhere within the laboratory. Use the wall bracket for wall mounted systems as a template to drill mounting holes. (The Nanopure TOC - UV does not include screws and fasteners for mounting.) Please refer to the “General Specifications” section for clearance requirements.

## INSTALLATION



### Note

The UV lamp contains mercury. If broken or no longer needed, do not dispose of the UV lamp in the trash. Recycle or dispose of the UV lamp as hazardous waste.



### Caution

DO NOT TOUCH THE GLASS PORTION OF THE LAMP! It is recommended that lint-free gloves be worn when handling the lamp. The glass portion must be free of fingerprints, perspiration, etc. Even a light coating of perspiration will reduce the effectiveness of the lamp. If the glass portion of the lamp is touched, clean it with a damp, lint-free cloth: use isopropyl alcohol as required.



Figure 1: UV Lamp Installation - Left side view

---

## UV Lamp Installation

Locate the UV chamber inside the left door of the Nanopure TOC - UV. Install the UV Lamp as follows:

1. Disconnect the power cord from the unit.
2. Access the left side of the unit by unlatching the screw securing the door with a flathead screwdriver. Open the door. The UV lamp will be installed vertically.
3. Remove the UV lamp from its packaging. DO NOT TOUCH THE GLASS PORTION OF THE LAMP! It is recommended that lint-free gloves be worn when handling the lamp. The glass portion must be free of fingerprints, perspiration, etc. Even a light coating of perspiration will reduce the effectiveness of the lamp. If the glass portion of the lamp is touched, clean it with a damp, lint-free cloth: use isopropyl alcohol as required.
4. Remove black cap by sliding off UV housing.
5. Insert the lamp halfway into the UV lamp chamber and plug it in, then fully insert the lamp into the chamber.
6. Make sure the UV lamp cable is tucked behind the chamber before closing and relatching the door.

---

## Other Accessories

Optional accessories for this unit include a float switch, low pressure switch, N.I.S.T. Traceable Calibration Module, standard remote dispenser, Accudispense volumetric remote dispenser, dispense overflow cutoff float and printer. If you purchased a float switch or low pressure switch, refer to page 31 of this manual. If you purchased a standard or Accudispense volumetric remote dispenser, refer to their respective operator's manuals for installation instructions.



**Caution**

Wall composition, condition and construction, as well as fastener type, must be considered when mounting this unit. The mounting surface and fasteners selected must be capable of supporting a minimum of 150 lbs.(68 kg). Inadequate support and/or fasteners may result in damage to mounting surface and/or equipment. If you are unsure of mounting surface composition, condition and construction or correct fasteners, consult your building maintenance group or contractor.



**Note**

Please refer to the “General Specifications” section for clearance requirements.



**Warning**

Do not locate the Nanopure TOC - UV directly over equipment that requires electrical service. Routine maintenance of this unit may involve water spillage and subsequent electrical shock hazard if improperly located.



**NOTE \*\*\*\*\*  
*The outlet of a gravity feed storage reservoir must be above or at the same level as the inlet of the Nanopure TOC - UV.***

**\*\*\*\*\***

## Bench Mounting

1. Place the Nanopure TOC - UV on a bench top that is accessible to pretreated water, electricity and an atmospherically vented drain.

## Wall Mounting

Install the Nanopure TOC - UV on a wall in a convenient location that is accessible to water, an atmospherically vented drain and electricity.

1. Locate the wall bracket packed separately from the unit.
2. Using the wall bracket as a template, locate and drill the mounting holes in the wall. A minimum of four (customer-supplied) fasteners will be required — two on the top and two on the bottom.
3. Attach the wall bracket to the wall using the customer-supplied fasteners.
4. Remove the locking screws on each side of the wall bracket.
5. Pull the two locking slides on each side of the wall bracket out as far as they will go.
6. Hang the unit on the wall bracket by sliding the mounting pins into the wall bracket slots.
7. Push the locking slides on each side of the wall bracket in as far as they will go.
8. Replace the locking screws.

## INSTALLATION



### Note

The removable control panel was not designed to be repeatedly removed from the unit, therefore, you may experience difficulty when attempting to remove it. It is therefore recommended that the control panel be permanently mounted in a remote location or remain intact with the unit.



### Caution

Repeated removal and replacement of the control panel from the top cover may eventually cause it to become damaged.



### Note

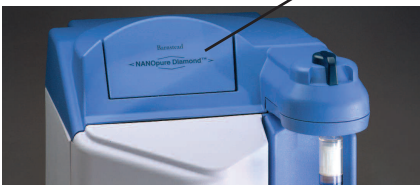
A bracket is available that will allow you to mount the control panel on the bench. If bench mounting is desired, please order bracket AY1367X2.



### Note

The blank protective cover on the rear side panel display connector should remain in place when the display is not remotely located.

Blank panel



Wall Mount Bracket



## Installing the Control Panel in a Remote Location

For your convenience, the control panel can be removed from the unit and mounted at a convenient location within 10 ft. (3.1 m.) of the unit. To remove the control panel from the unit:

1. Turn the unit OFF and disconnect it from the power supply.
2. Slide the control panel upward about 1/4" (.64 cm) to 3/8" (.95 cm) - (just enough to clear connector on top cover), pull forward, and remove. (The control panel fits tightly in the unit so it may be difficult to remove.)
3. Replace the control panel with the blank panel provided with the unit to protect the electrical connector.
4. Using the wall bracket as a template, locate and drill the mounting holes in the wall. A minimum of two (customer-supplied) fasteners will be required. Attach the wall bracket to the wall using the customer-supplied fasteners.
5. Locate the 25-pin connector on the back top right of the unit. Remove the protective black cover and store it for future use if the control panel is returned to the top cover.
6. Locate the 10 ft. (3.1 m.) 25 pin M-F cable included with the unit; attach the female end to the 25 pin connector on the back top right of the unit, and the other end to the connector on the bottom of the control panel.
7. Tighten the cable screws on each end to secure the cable to the unit and control panel.
8. The control panel may now be mounted on the wall.

Figure 2: Mounting the Control Panel



**Caution**

Do not connect feed water until directed to do so during “Initial Cleaning.”

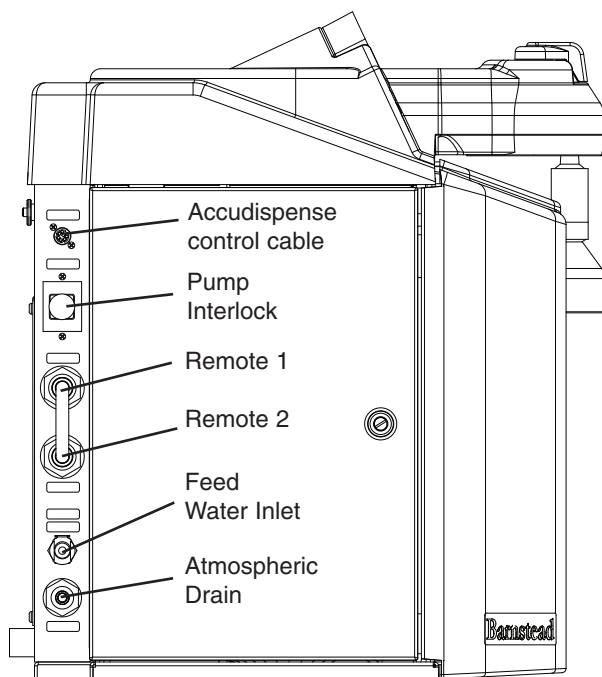


Figure 3: Water Connections - Left side view



**Note**

To prevent leaking, push the tubing into the atmospheric drain connection until it bottoms out.

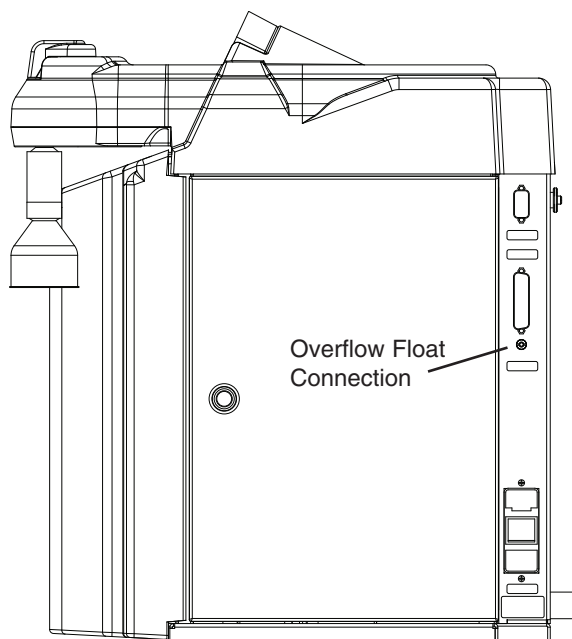


Figure 4: Water Connections - Right side view

## Water Connections

### Feed Water Connection

1. Locate the length of 3/8" O.D. tubing provided with the unit with a quick disconnect insert on one end and a 3/8" (.95 cm) O.D. X 1/4" (.64 cm) NPT tubing adapter on the other.
2. Install the tubing adapter onto your incoming water line. We recommend a customer supplied shut off valve be installed in your feed water line. Do not connect the feed water to your Nanopure TOC - UV. You will connect the feed water during the “Initial Cleaning” procedure explained later in this manual. Note: The cartridge pack must be installed before connecting water line.
3. If a pressure switch is to be used, see the “Installing a Float or Pressure Switch” section for more information.

### Atmospheric Drain Connection

When the Nanopure TOC - UV flushes its membrane, the water used is sent to drain through this connection. To install:

1. Locate the drain water tubing. This is the 1/4" (.64 cm) O.D. tubing that is approximately 6 ft. (1.9 m.) long. The atmospheric drain fitting is located on the lower left side of the Nanopure TOC - UV.
2. Route the other end of the drain water tubing to an atmospherically vented drain and make a connection. Ensure there are no kinks in the tubing and that it proceeds in a downward plane. Proceed to “Initial Operation.”

## INSTALLATION

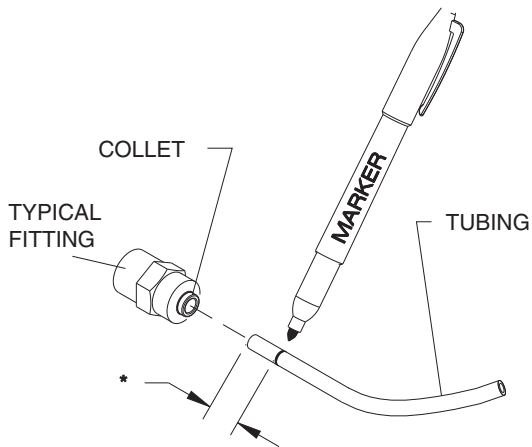


Figure 5: Tubing Adapter Installation

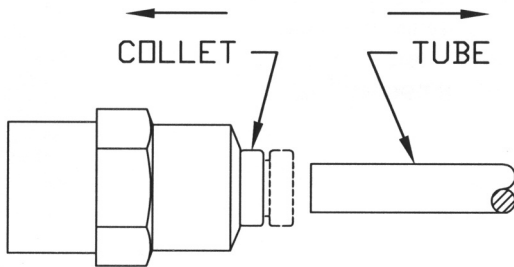


Figure 6: Tubing removal

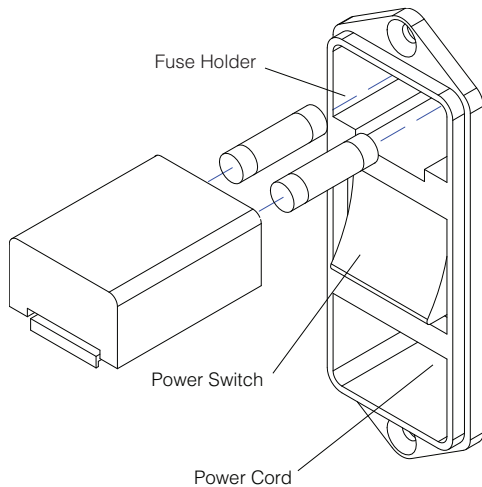


Figure 7: Electrical Connections

## Tubing Installation

To make tubing connections:

1. Make sure the tubing is cut off reasonably square and that no plastic burrs or ridges are present.
2. \*Mark from end of tube the length of insertion.

Tube size	Insertion length
1/4 O.D.	1.75 cm (11/16")
3/8 O.D.	1.9 cm (3/4")
3. Wet the tube end with water and insert tube straight into fitting until it bottoms out on interior shoulder and insertion mark is no longer visible.

4. To remove tubing, push collet toward fitting body and pull on tubing. To reuse fitting, begin assembly at step one.

## Electrical Connections

The Nanopure comes with a 120 V power cord with (2) 1.6 amp fuses and 240 V power cords with (2) 0.63 amp fuses.

The Nanopure is not shipped with fuses installed in the fuse draw of the power module. Before connecting the power cord to the power module, install the proper fuses in the fuse holder. Refer to the figure on the left.

# Controls



## Note

The removable control panel was not designed to be repeatedly removed from the unit, therefore, you may experience difficulty when attempting to remove it. It is therefore recommended that the control panel be permanently mounted in a remote location or remain intact with the unit.

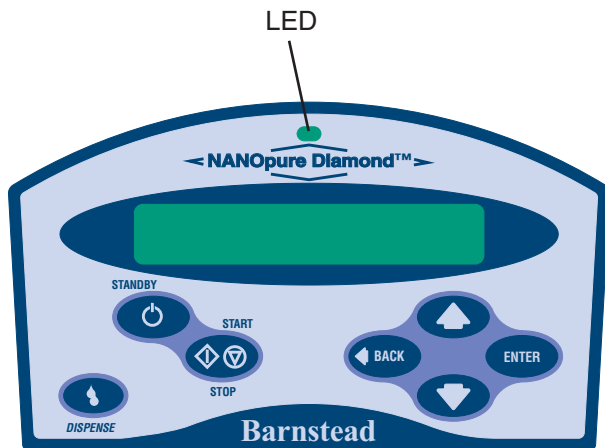


Figure 8: Nanopure TOC - UV Control Panel

## Main Power Switch

The main power switch on the Nanopure TOC - UV is located on the lower back right side of the unit (as you face the front of the unit), directly above the power cord receptacle.

## Control Panel

The Nanopure TOC - UV is controlled through a panel which incorporates switches to control its functions: START/STOP, STANDBY, DISPENSE, DOWN, UP, ENTER and BACK. This control panel utilizes a digital display to show system information and the purity of the product water. The intensity (brightness) of the display may be adjusted according to user preference. See “Adjusting Display Brightness” in the “User Settings” section of this manual.

A single LED located on the top of the control panel will illuminate to inform you of the system status as follows:

- LED is not illuminated: System is OFF or in (Idle) mode.
- Solid Green LED: System is recirculating and operating normally.
- Blinking Green LED: System is in Standby mode.
- Red LED: System is alerting user to an operational error or maintenance issue.

The control panel can be removed from the unit and remotely mounted. Please refer to “Installing the Control Panel in a Remote Location” in the “Installation” section of this manual for more information about how to remove the control panel from the unit.



---

## Switches

When the main power switch (on the lower back right side of the unit as you face the unit) is ON, the switches on the control panel function as follows:

**START/STOP** allows you to alternate the unit between the normal (recirculation) mode; when the display is showing purity, and the (Idle) mode.

**STANDBY** allows you to put the unit into standby, recirculating water for 10 minutes/hour. The display will read “Standby” during periods of inactivity and “Recirculating” and the time remaining during the 10 minute recirculation.

**DISPENSE** allows you automatically deliver water from the unit. Please refer to “Automatic Dispensing” in the “User Settings” section of this manual for information.

**UP and DOWN** arrows allow you to scroll between menu options/items and values.

**BACK** allows you to return to the previous menu option/item. Please note that use of the BACK switch from a selection screen will return you to the previous menu option/item while maintaining the selection’s value upon entry.

**ENTER** allows you to activate a selected menu option/item and also functions as “Yes” whenever an option with a question mark appears.

**DISPENSE KNOB** when the unit is in the recirculation mode, push to the right to deliver water continuously until pushed back to the middle. Push to the left to deliver water manually until button is released.



**Note**

The unit **MUST** be in the normal recirculating mode (when the display is showing purity) in order to dispense water.



# Initial Operation

Cartridge packs will come bagged with four manifold connection caps.

## Part      Application

### **Diamond Kit Organic Free R/O & Distilled Feed**

D50280 Ultra-Low Organics, Type 1 Water, Reverse Osmosis or Distilled Water Feed

### **Diamond Kit Organic Free Deionized Feed**

D50281 Ultra-Low Organics, Type 1 Water, Deionized Water Feed

### **Diamond Kit Type 1 R/O & Distilled Feed**

D50282 Low Organics, Type 1 Water, Reverse Osmosis or Distilled Water Feed

### **Diamond Kit Type 1 Deionized Feed**

D50283 Low Organics, Type 1 Water, DI DI Water Feed

*Each cartridge pack includes one 0.2 micron absolute final filter.*



#### **Warning**

Depressurize system prior to removing cartridge pack.



#### **Caution**

Do not allow the Nanopure TOC - UV to operate unless water is available to the unit.



#### **Note**

Do not install the 0.2 micron filter and bell assembly at this time.



Figure 9: Cartridge Pack Installation

## Cartridge Pack Installation

1. Open front (left side) door. Turn the cartridge pack so the caps are facing you. Remove the caps.
2. Verify that each of the four posts on the cartridge pack has an o-ring.
3. Lift unit manifold upwards, insert cartridge pack and align the pack so that it mates with the unit manifold.
4. Lower unit manifold until it is flush with the top of the cartridge pack.
5. Hand tighten wing head screws securely.
6. Close door.



### Warning

Use a properly grounded electrical outlet of correct voltage and current handling capacity.



### Caution

Never dispense water without first installing hose barb provided in parts bag or final filter supplied with cartridge pack.

## Initial Rinse

1. Attach the feed water line to the unit by snapping the quick disconnect coupling into the quick disconnect body in the lower left back of the unit.
2. Attach an atmospheric drain line [1/4" (.64 cm) ] tubing by pushing into the quick connect fitting on the lower left back of unit. See layout connection under the "Water Connections" section.
3. Check to ensure the dispense knob is in the OFF (middle) position.
4. Select the appropriate power cord, remove and install the two fuses into the fuse draw in the power entry module. U.K. customers use cord CRX100 and fuses for 240V installation.
5. Connect/attach to proper electrical outlet and the unit.
6. Turn the unit on by turning the main power switch to the "I" (ON) position.
7. The system greeting will display the type of unit you own. This greeting is "UV TOC."
8. The system electronics will initialize and check its calibration. (All units have been factory calibrated.) If calibration is OK the display will show "Calibration (passed)." The display will next read "Self Test (in progress) Self Test. Passed." Finally, the display will read "10 ( $\pm 0.2$ ) M $\Omega$ -cm." This is a reading of the calibration reference value. Finally the display will show "TOC Initialization," "TOC: (In Progress)." (Note: The TOC initialization phase may take up to 45 seconds.)
9. From the (Idle) mode, when the display reads, "Nanopure (Idle) xx:xx:xx xx/xx/xx," press ENTER to run an air purge.
10. Unit will display, "Air Purge?" Press ENTER.

**Warning**

Avoid splashing cleaning solution on clothing or skin.

Ensure all piping connections are tight to avoid leakage.

Ensure adequate ventilation.

Carefully follow manufacturer's safety instructions and material safety data sheets.

This device to be used with water feeds only.

Cleaning agents must be used in compliance with instructions in this manual. Failure to comply with the above could result in explosion and personal injury.

**Note**

After cleaning is complete, the cleaning timer will need to be reset (refer to Resetting the Cleaning Timer) for another six month timing sequence.



Figure 10: Injecting Cleaning Solution

11. Upon completion of the air purge, press the UP or DOWN arrow until "TOC Short Flush?" displays. Press ENTER. (This flush will last approximately 20 seconds.)
12. When the display returns to "TOC Short Flush?" press ENTER again to flush the TOC system a second time.
13. Press BACK to return to the (Idle) menu.
14. Complete the "System Sanitization Procedure."

## System Cleaning Procedure

Your Nanopure TOC - UV has been shipped with a cleaning syringe (Cat. No. CMX25). When the system is new or whenever a new cartridge pack is installed, the system should be cleaned. For UV units, it is best to perform cleaning procedures when the system or water is not required. The entire cleaning procedure will take approximately 3.5 hours to complete. Clean your Nanopure as follows:

1. (If you have installed an Accudispense volumetric remote dispenser, place it in manual mode.) From the (Idle) display, press the UP or DOWN arrow until display reads, "Clean Unit?"
2. Press ENTER.
3. Unit display will ask if you have "Disconnected Inlet Water (NO)."
4. Disconnect feed water supply at the quick-disconnect inlet valve on left side of unit.
5. Press the UP or DOWN ARROW to select (YES) and then press ENTER. Display will now read, "Injected Cleaner (NO)."
6. Open front (left side door) to expose cartridge pack. Remove solution syringe from wrapper.
7. Remove luer cap on system injection port, located on the right side of the cartridge pack manifold by turning counterclockwise.

## INITIAL OPERATION

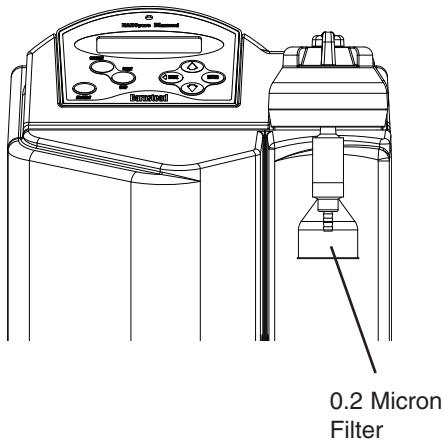


Figure 11: Installing 0.2 Micron Filter



### Note

For more demanding applications where low TOC water is required, a rinse of 15-20 liters through the cartridges and 0.2 micron filter may be necessary.



### Caution

Never dispense water without first installing hose barb provided in parts bag or final filter supplied with cartridge pack.

8. Remove syringe luer cap and attach syringe to the system luer fitting.
9. Slowly inject solution into system and remove syringe. Avoid injecting air into the system.
10. Replace luer cap on injection port and close door.
11. Press the UP or DOWN arrow to select (YES) and then press ENTER. Display will now read, "Reconnected Water (NO)."
12. Attach feed water supply removed in step 4.
13. Press the UP or DOWN arrow to select (YES) and press ENTER. Display will now read, "Unit Cleaning."
14. Unit may now be left unattended until display reads, "Cleaning Complete: Press ENTER."
15. After cleaning is complete the unit will return to the (Idle) mode.
16. Press the START/STOP switch to return the unit to the normal recirculation mode.
17. Remove the new 0.2 micron filter and bell assembly from the bag and insert it into the dispenser arm manifold. Gently turn it clockwise until it is fully seated.
18. Remove the protective cap from the filter bell. Turn the dispense knob to the left or right and flush 1-2 liters of water through the 0.2 micron filter. The product water is now ready for use.

# Normal Operation



## Note

On initial start-up, the purity meter may display "...MΩ-cm or uS/cm." This is caused by air in the cell and should be replaced by a resistivity reading almost immediately. If the dots aren't replaced by a value after one minute, refer to the "Troubleshooting" section of this manual.



## Note

Do not turn off the Nanopure TOC - UV during non-work hours. Doing so will allow bacterial growth and other contamination of the water in the system. As a result, the system will require a rinse-up period at the beginning of the work day to achieve high quality product water. We recommend using the Standby Mode.



## Note

From the normal recirculating mode when the display is showing purity, press ENTER to show the current temperature. The temperature will display for about 5 seconds before returning to the normal recirculating mode.

1. Turn the system power ON by depressing the main power switch to the "I" position.
2. The system greeting display indicates the type of unit you own. This greeting is "UV TOC."
3. The system electronics will initialize and check its calibration. (All units have been factory calibrated.) If calibration is OK the display will show "Calibration (passed)." The display will next read "Self Test (in progress) Self Test. Passed." Next, the display will read "10 (±0.2) MΩ-cm." This is a reading of the calibration reference value. Finally, the display will show "TOC initialization," "TOC: (In progress)." (Note: The TOC initialization phase may take up to 45 seconds.)
4. From an (Idle) display, press the START/STOP switch on the control panel to enter the normal recirculating mode. The unit's pump will begin to run.
5. The display will then begin reading resistivity of the product water. Initially it will read "... MΩ-cm" until the air is bled from the system.
6. If the TOC analyzer has been chosen (See "Use TOC analyzer"), the display will begin showing TOC values of the product water. Initially it will read "TOC=...ppb" until valid data is available (which may take up to 4 minutes after starting).
7. Allow the water's resistivity to rise to the desired purity before drawing off water.
8. The system should be left on or in standby during the work day. (See "Use of Standby Mode.")

**Note**

Press any switch except ENTER to stop dispensing. Display will read, "Auto Dispense Interrupted by User."

**Note**

If the Nanopure "Auto Dispense" feature is set to (TIME), a connected Accudispense accessory (if one exists) will not automatically dispense.

---

## Dispensing Water

Use the dispense knob for manual dispensing or, use the "Dispense" switch for volumetric or timed dispensing. See "User Settings."

---

## Automatic Dispensing

(Factory set to "OFF.") This feature is accessible only from the normal recirculating mode when the display is showing purity.

1. Place a container under the dispenser.
2. Press DISPENSE. **Water will start dispensing immediately!** Display will read, "xx.MΩ-cm xx Liters Remaining" or "xx.MΩ-cm xx Seconds Remaining," or "AUTO DISPENSE <OFF>" depending on which dispensing method was last chosen in the auto dispense menu.

---

# User Settings

---

## Adjusting Display Brightness

1. From the (Idle) mode, when the display reads, “Nanopure (Idle) xx:xx:xx xx/xx/xx,” press the UP or DOWN arrow until display reads, “Advanced Menu?”
2. Press ENTER.
3. Press ENTER to proceed through the options until “Set Display Brightness” is displayed.
4. Press the UP or DOWN arrow to choose “Yes.”
5. Press ENTER.
6. Press the UP or DOWN arrow until the desired value (100%, 75%, 50% or 25%) is displayed.
7. Press ENTER.
8. Press BACK until you return to the (Idle) display.

---

## Setting the Displayed Language

1. From the (Idle) mode, when display reads, “Nanopure (Idle) xx:xx:xx xx/xx/xx,” press the BACK switch until the display reads “LANGUAGE.”
2. The currently selected language is displayed on line 2 of the display.
3. Press the UP or DOWN arrow to select the language desired.
4. Press ENTER.

**Note**

Time values are displayed in 24 hr. military time. For example; 6:00p.m. = 18:00:00 = hr./min./sec.)

---

## Setting the Date and Time

1. From the (Idle) mode, when the display reads, "Nanopure (Idle) xx:xx:xx xx/xx/xx," press the UP or DOWN arrow until display reads, "Advanced Menu?"
2. Press ENTER.
3. Press ENTER when the unit displays "Printer Attached?"
4. When prompted with "Date Format" press the UP or DOWN arrow to show the date format desired. Press ENTER to select the desired format and continue.
5. When prompted with "Set Date," press the UP or DOWN arrow to choose "Yes," then press ENTER.
6. Press the UP or DOWN arrow until you reach the desired month. Press ENTER.
7. Press the UP or DOWN arrow until you reach the desired day. Press ENTER.
8. Press the UP or DOWN arrow until you reach the desired year. Press ENTER.
9. When prompted with "Set Time" press the UP or DOWN arrow to choose "Yes," then press ENTER. This is to set the time of day.
10. Press the UP or DOWN arrow until you reach the desired hour value. Press ENTER.
11. Press the UP or DOWN arrow until you reach the desired minute value. Press ENTER.
12. Press BACK twice to return to the (Idle) mode.



---

## Setting the Cell Constant

The actual temperature and cell constants are attached to the cell cable internal to the Nanopure unit. This data helps ensure that the purity displayed is as accurate as possible. The only time the user would need to enter this data is if the cell or main board is being replaced and/or updated.

1. Shut power OFF to the unit and disconnect the power cord.
2. Unlatch and open the right side door.
3. Find and copy down the two cell constants attached to the gray cable, leaving the electronics board mounted on the inside of the right side door.
4. Close and latch the right side door.
5. Reconnect the power cord and turn unit ON.
6. From the (Idle) mode, when the display reads, "Nanopure (Idle) xx:xx:xx xx/xx/xx," press the UP or DOWN arrow until the display reads, "Advanced Menu."
7. Press ENTER.
8. Proceed through the options by pressing ENTER until "Set Cell Constant" is displayed.
9. Press the UP or DOWN arrow to select "Yes."
10. Press ENTER.
11. Note that the digits are entered from left to right.
12. Press the UP or DOWN arrow to change the "blinking" digit. Once the digit is correct, press ENTER to advance to the next digit.
13. After all digits have been entered, line 2 of the display will read, "(NO) Finished."
14. If the cell constants displayed on line 1 of the display are correct, press the UP or DOWN arrow to select "Yes."

15. Press ENTER.
16. Press BACK twice to return to the (Idle) mode.

---

### Use of Standby Mode

At the end of the work day, place the Nanopure TOC - UV in Standby mode for the night. To place the unit in Standby mode:

1. From the (Idle) mode, when display reads, "Nanopure (Idle) xx:xx:xx xx/xx/xx," press STANDBY.

—OR—

2. From the xx.x MΩ-cm or x.xx uS/cm operational display, Press STANDBY.

After STANDBY is pressed the display will read "Standby" and the green LED will slowly blink. For 10 minutes of every hour while the pump is energized, the display will read "Standby (Recirculating) xx minutes." Every fourth time the pump goes on in the standby mode, the UV light will go on. The lamp is on 10 minutes out of every four hours. Press START/STOP to return to the recirculating mode.

---

### Selecting the Set Point

The Nanopure TOC - UV electronics include a user programmable set point which alerts you when water quality falls below the programmed set point. The set point is user selectable from 1-18 MΩ-cm (factory set at 10 MΩ-cm.).

1. From the (Idle) mode, when display reads, "Nanopure (Idle) xx:xx:xx xx/xx/xx," press the UP or DOWN arrow until display reads, "Advanced Menu?"
2. Press ENTER.
3. Proceed through the options by pressing ENTER until "Adjust Set Point" is displayed.



#### Note

When in Standby mode, press START/STOP to continue normal operation.



#### Note

If you have installed an Accudispense volumetric remote dispenser, its "Purity Above Setpoint" LED will slowly blink when the water system is in Standby Mode.



#### Note

Refer to Auto Standby section to have the unit automatically enter Standby Mode each day at a predetermined time chosen by the user.

4. Press the UP or DOWN arrow to choose “Yes.”
5. Press ENTER.
6. Press the UP or DOWN arrow until the desired value is displayed.
7. Press ENTER.
8. Press BACK to return to the (Idle) mode.

The second line of the display will show a “Below Set point” message once every 8 to 10 seconds when the measurement is below the set point. (The set point indication is set at the factory at 10 MΩ-cm.)

---

## Resetting the Cleaning Timer

1. From the (Idle) mode, when the display reads, “Nanopure (Idle) xx:xx:xx xx/xx/xx,” press the UP or DOWN arrow until the display reads, “Reset Timers?”
2. Press ENTER. Display will read, “Reset UV Timer (NO).”
3. Press ENTER.
4. Display will read, “Reset Cleaning Timer” and show on the right side of the second line when the user will start receiving “Clean Unit” reminders.
5. Press the UP or DOWN arrow to select “Yes.”
6. Press ENTER and the timer will be reset. This will reset the cleaning timer for approximately six months calendar time.

**Note**

When the user begins receiving “Change UV Lamp” reminders, it will be time to change UV lamp and reset UV timer as described in “Resetting the UV Timer.”

---

## Resetting the UV Timer

When the Nanopure TOC - UV is in an (Idle) position:

1. From the (Idle) mode, when display reads, “Nanopure (Idle) xx:xx:xx xx/xx/xx,” press the UP or DOWN arrow until the display reads, “Reset Timers?” Press ENTER.
2. Press the UP or DOWN arrow until the display reads, “Reset UV Timer.”
3. Press the UP or DOWN arrow to select “Yes.”
4. Press ENTER and the timer will be reset for approximately five months of operational time.

The display will now display “Rest Cleaning Timer.” Press BACK two times to return to the (Idle) mode.

---

## Resetting the TOC Lamp Timer

When the Nanopure TOC - UV is in an (Idle) position:

1. From the (Idle) mode, when display reads, “Nanopure (Idle) xx:xx:xx xx/xx/xx,” press the UP or DOWN arrow until the display reads, “Reset Timers?” Press ENTER.
2. Press ENTER until the display reads, “Reset TOC Timer.” It will also read, on the right side of the second line, the hours of usage which have occurred since the TOC Timer was last reset.
3. Press the UP or DOWN arrow to select “Yes.”
4. Press ENTER and the timer will be reset for 1820 hours of operational time.

The display will now display “Reset TOC Timer.” Press BACK two times to return to the (Idle) mode.

---

## Using the TOC Analyzer

(Factory set to “No.”)

This feature is accessible from the (Idle) mode.

Use the analyzer when TOC values and resistivity/conductivity readings are to be displayed. **DO NOT** use the analyzer when only resistivity/conductivity readings are to be displayed.

1. From the (Idle) display press UP or DOWN arrow until “Advanced Menu?” is displayed.
2. Press ENTER.
3. Press ENTER when “Printer Attached?” is displayed.
4. Continue pressing ENTER until “Use TOC Analyzer?” is displayed.
5. Press UP or DOWN arrow to choose “Yes.”
6. Press ENTER.
7. Press BACK twice, from the “Date Format” display, to return to the (Idle) mode.

**Note**

Volumetric dispensing is based upon total fluid volume entering the Nanopure TOC - UV. Point of drawoff accuracy will be compromised if you are dispensing water volumetrically while simultaneously drawing water manually through the remote dispenser accessory.

**Note**

Once Volumetric or Timed Dispensing values are set, they will remain in memory until changed by the user. To turn the dispense method OFF, select "OFF" in the "Dispense Method" menu.

---

## Setting Volumetric Dispensing

1. From the normal recirculating mode, when the display is showing purity, press the UP or DOWN arrow until the display reads, "Auto Dispense Menu?"
2. Press ENTER.
3. Display will read, "Dispense Method." Press the UP or DOWN arrow to select UNIT VOLUMETRIC.
4. Press ENTER. Display will read, "Unit Volume Setting: xx Liters."
5. Press the UP or DOWN arrow to set the desired volume value. Press ENTER.

**UP arrow:** +0.25 up to 1 L, then 5 L, then incremental by 5 L.

**DOWN arrow:** Decrement by 1 L until 1 L, then by 0.25 L.

**Maximum:** 60 L

**Minimum:** 0.25 L

---

## Setting Timed Dispensing

1. From the normal recirculating mode, when the display is showing purity, press the UP or DOWN arrow until the display reads, "Auto Dispense Menu?"
2. Press ENTER.
3. Display will read, "Dispense Method." Press the UP or DOWN arrow to select TIME.
4. Press ENTER. Display will read, "Time Setting: xx Minutes."
5. Press the UP or DOWN arrows to set the desired time value. Press ENTER.

**UP arrow:** +1 up to 5 min., then increments by 5 minutes

**DOWN arrow:** Decrement by 1 minute

**Maximum:** 40 minutes

**Minimum:** 1 minute



**Note**

An automatic 1-minute flush will occur once every 12 hours. If a unit is (Idle) or in STANDBY for over 12 hours, an automatic system flush will occur immediately after the START/STOP switch is pressed.



**Note**

Press the STOP/STOP switch to cancel the flush.



**Note**

Purity displayed will have an asterisk (\*) the the left of the reading (\* xx.x MΩ-cm or \* x.xx uS/cm) to inform the user that uncompensated purity is being displayed.

---

## Performing a System Flush

1. From the normal recirculating mode, when the display is showing purity, press the UP or DOWN arrow until the display reads, “System Flush?” Press ENTER.
2. Press the UP or DOWN arrow to select “Short Flush?” or “Extended Flush?” Press ENTER.
3. Display will read, “System Flushing: (xxx) Seconds or (xxx) Minutes Remaining.”

---

## Changing Purity Units

(Factory set to “mΩ-cm.”)

1. From the normal recirculating mode, when the display is showing purity, press the Up or DOWN arrow until display will reads, “Change Units?” Press ENTER.
2. Press the UP or DOWN arrow to select “MΩ-cm” or “uS/cm” Press ENTER.
3. Press BACK to return to the normal recirculating mode.

---

## Temperature Compensation

(Factory set to “ON.”)

1. From the normal recirculating mode, when the display is showing purity, press the Up or DOWN arrow until the display reads, “Temperature Compensation?” Press ENTER.
2. Press the UP or DOWN arrow to select “OFF” or “ON” Press ENTER.
3. Press BACK to return to the normal recirculating mode.

**Note**

If set to "YES", unit will automatically enter Standby Mode only once per day. If the unit mode is later changed from Standby, the unit will not again automatically enter Standby until the preset Auto Standby time is again reached.

---

## Auto Standby

(Factory set to "NO")

This option allows for a convenient method for the user to ensure that the Nanopure TOC - UV unit will be placed in Standby at a predetermined time each day. This is especially convenient to ensure the unit is placed in Standby during weekends.

1. From the "Nanopure (Idle) xx:xx:xx xx/xx/xx" press the UP or DOWN arrow until display reads, "Advanced Menu."
2. Press ENTER.
3. Press ENTER to proceed through the options until "AUTO STANDBY START" is displayed.
4. Press the UP or DOWN arrow to choose "YES."
5. Press ENTER.
6. Press the UP or DOWN arrow until the desired time is displayed for the unit to automatically enter Standby.
7. Press ENTER.
8. Press BACK until you return to the (Idle) display.

**Note**

When "UNIT UNDER COUNTER" is set to "YES," Auto Dispense will not be available from the main unit dispenser.

---

## Unit Under Counter

(Factory set to "NO")

This option will lock out any type of automatic dispense out of the unit (Accudispense accessory D13661 will still operate normally.) This will prevent accidental dispensing from the unit if it is located under a counter or similar area such that the unit dispenser is not in site of the user but the display is (i.e. remote mounted display.)

1. From the "Nanopure (Idle) xx:xx:xx xx/xx/xx" press the UP or DOWN arrow until display reads, "Advanced Menu."
2. Press ENTER.
3. Press ENTER to proceed through the options



until "UNIT UNDER COUNTER" is displayed.

4. Press the UP or DOWN arrow to choose "YES."
5. Press ENTER.
6. Press BACK until you return to the (Idle) display.

# Accessories

## Feedwater Float or Pressure Switch

Accessories D8964 (float switch) and D2706 (pressure switch) are designed to protect the Nanopure TOC - UV pump by alerting the system of an inadequate feed water condition so that the pump can be shut down. If an inadequate feed water condition exists and the pump is shut down due to this condition, the display will read "Check Inlet." Follow the proceeding instructions for installation.

1. Disconnect the unit from the electrical power.
2. If using the D8964 float switch, follow the installation instructions included with the float switch for installation into a tank.
3. If using the D2706 low pressure switch, install the PVC tee (supplied with D2706) in the incoming water line. Screw the switch into the top of the tee, then connect the inlet tubing of the Nanopure TOC - UV into the remaining opening of the PVC tee.
4. Route the cable from the float or low pressure switch to the top left of the Nanopure TOC - UV.
5. Remove the jumper plug from the back, upper left portion of the unit and save for future use.
6. Plug the cable into the jumper plug outlet.
7. Reconnect the electrical power.

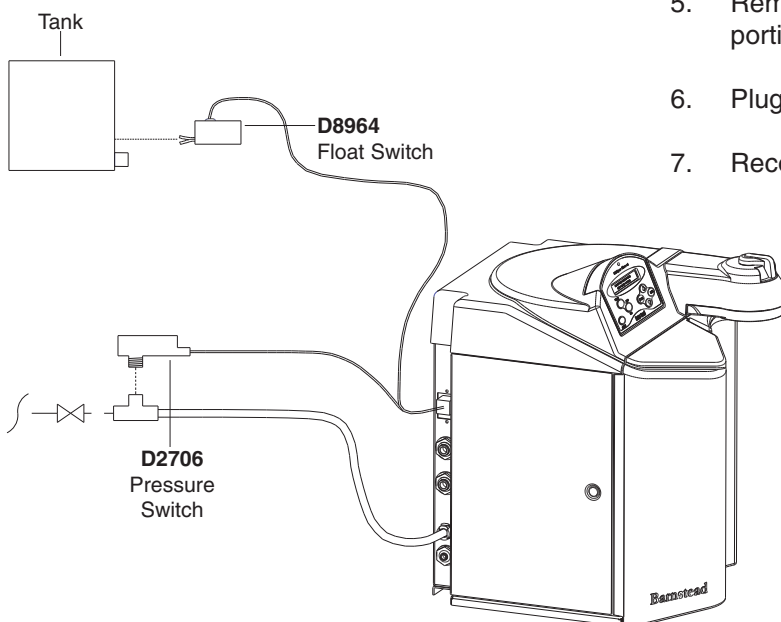


Figure 12: Feedwater Float/Pressure Switch

**Caution**

This accessory is not intended for use with small containers as its weight could cause small, light-weight containers to tip over.

**Note**

If an auto dispense is stopped by the AY1367X1, the Nanopure will change modes to normal recirculation.

## Dispense Overflow Cutoff Float

Accessory AY1367X1 (overflow float with 6 ft [2.83 meter] cable) is designed as a user option to ensure automatic dispensers (time or volumetric) do not overflow carboy style containers. This accessory can be especially helpful if the actual volume of a container is unknown. It can also protect against overflows if the entered/stored volume of a previous container has not been changed and is set for a volume greater than the carboy being filled. Finally, the accessory can be useful for automatic time dispenses as it is usually difficult to ensure the set time will equal a specific volume of water.

1. Prior to initialing an automatic dispense (time or volumetric), plug AY1367X1 into connector on back right side of Nanopure. See Figure 13.
2. Position carboy to be filled and place float assembly on open neck of carboy. Position float assembly such that it will not interfere with product water stream being dispensed into carboy.
3. Initiate Auto Dispense as described in the “Automatic Dispensing” section of this manual. If during the auto dispense the float is lifted by the rising water, the auto dispense will immediately be stopped and an error message will be displayed momentarily.

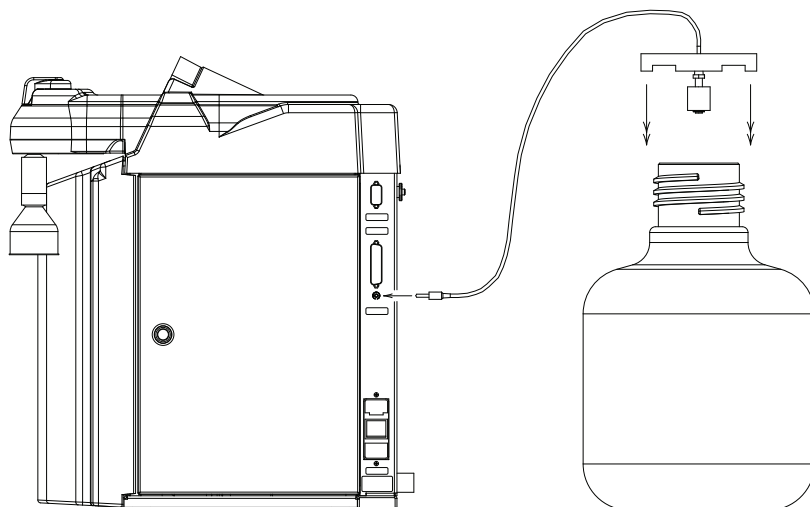


Figure 13: AY1367X1 Dispense Overflow Cutoff Float

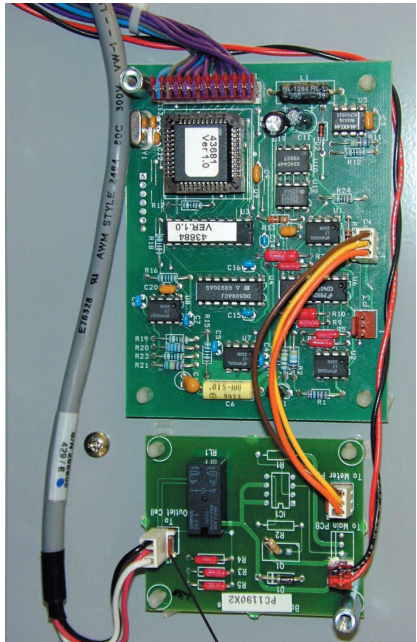


Figure 14: PC Board

J2  
Connection



**Note**

The calibration (in progress) may take up to two minutes to complete.

## Performing an Electronic Calibration Using the Optional N.I.S.T. Calibration Module

If you purchased the optional N.I.S.T. calibration module (Catalog No. E896X5) you can perform a calibration of the Nanopure purity sensing electronics traceable to N.I.S.T. standards.

1. Disconnect power cord from the unit.
2. Unlatch and open the right door. Remove the 2 screws and remove the cover plate over the PC boards.
3. Locate the outlet cell connection on the circuit board and remove the outlet cell connection at J2.
4. Connect the N.I.S.T. calibration module to the connection point (J2), "To Outlet Cell" on the calibration board (PC1190X2).
5. Close and latch door.
6. Reconnect the power cord and turn the unit on by depressing the main power switch.
7. From the (Idle) mode, Press the UP or DOWN arrow until the display reads, "N.I.S.T. Calibrate?" Press ENTER.
8. Display will show "Calibration Module Installed?" Press the UP or DOWN arrow to select (YES).
9. Press ENTER.
10. Display will read "Calibration (In Progress)." When the calibration is complete the display will read "Calibration (passed/failed) for 4 seconds and then return to the "N.I.S.T. Calibrate?" display.
11. Press BACK to return to the (Idle) mode.

12. Turn the main power switch to the OFF "O" position. Unplug the unit.
13. Remove the calibration module and reconnect the cell.
14. Reattach the cover plate and close and latch the door.
15. Reconnect the power cord.

The calibration procedure is complete.

---

## **Manual Remote Dispenser and Accudispense Volumetric Remote Dispenser**

Refer to the Operating Instructions for your manual or Accudispense volumetric remote dispenser (LT1366X11).

---

# Computer/Printer Setup

---

## Connecting Nanopure to Computer and Communicating Through the RS-232 Port Using Hyperterminal or Procomm

---

### Hyperterminal

#### RS-232 Capture Instructions

1. Connect the 9 pin serial cable (part no. WHX18) from the Nanopure RS-232 port to COM2: port or (COM1: port) on back of computer.
2. From the (Idle) display, press the UP or DOWN arrow until display reads, "Advanced Menu."
3. Press ENTER.
4. From the "Printer Attached" display, press the Up or DOWN arrow for (NO).
5. Press ENTER.
6. Now, during the normal Recirculation mode, date, time, purity and temperature readings will be sent to the computer once per minute. If "Use TOC Analyzer" has been set to "Yes," the TOC data will also be sent.
7. Run your Microsoft Windows program. Open Hyperterminal (located in the accessories directory), give your setting a name and choose a symbol.
8. In the "Connect Using:" box, select "direct to" COM2: or (COM1: ) as port (depending on your computer), and click OK.
9. Using the selection boxes in the next screen, configure the options as 9600 baud, 8-bit, No parity, 1 stop bit, Flow Control: None.
10. To receive data to a file, select Transfer and capture text. Accepting default will put the file which you name in the c:/windows directory



#### Note

Due to character set differences, hyperterminal may display the  $\Omega$  symbol as  $\hat{e}$ . Also, the  $^{\circ}$  symbol may be displayed as  $\emptyset$ .

called capture.txt and the file will be an ASCII text file.

11. You should see the data on the computer screen.
12. When you are finished storing data from the Nanopure, save your file. You can exit Hyperterminal or set up a new experiment.
13. Hyperterminal data can be manipulated and graphed in Excel®.

---

## Procomm

1. Connect the 9 pin serial cable from the Nanopure RS-232 port to COM2: port or (COM1: port) on back of computer.
2. From the (Idle) display, press the UP or DOWN arrow until the display reads, "Advanced Menu."
3. Press ENTER.
4. From the "Printer Attached" display. Press the Up or DOWN arrow for (NO).
5. Press ENTER.
6. The unit will now, during the normal Recirculation mode send a purity and temperature reading to the computer once per minute. If "Use TOC Analyzer" has been set to "Yes," the TOC data will also be sent.
7. Open DOS window and change directory to procomm directory.
8. Open procomm executable.
9. Press ALT-F10 for configuration screen.
10. Enter into Line Settings screen by typing ALT-P.
11. Type in 11 <Enter>, sets parameters as 9600, 8, N, 1.
12. Type in 21 <Enter>, sets to COM2: or (Type in 20 <Enter>, sets to COM1:), depending on your computer.

13. Type in 24 <Enter>, saves settings.
14. Type ESC to exit setup menu.
15. Procomm is now ready to accept input from the Nanopure.
16. To begin downloading a file, Type ALT-F1, and give the file an appropriate name when prompted.

The optional printer (part no. AY1137X1) provides a paper tape record for future reference.

During normal Recirculation, the printer prints date, time, purity and temperature readings, and the optional TOC data, once every minute.

---

## Connecting and Starting the Printer

1. Make sure the printer and Nanopure are turned OFF.
2. Connect the Nanopure to the printer via the RS232 port. Use the tan printer cable included with the Epson printer. Plug the printer power cord into an electrical outlet.
3. Turn the Nanopure ON.
4. Turn the printer ON.
5. From the (Idle) display, press the UP or DOWN arrow until display reads, "Advanced Menu."
6. Press ENTER.
7. From the "Printer Attached" display, press the Up or DOWN arrow for (YES).
8. Press ENTER.
9. Press BACK twice to return to the (Idle) mode.



10. During normal Recirculation mode, a purity and temperature reading will be printed once every 12 minutes. If "Use TOC Analyzer" has been set to "Yes," the TOC data will also be printed.

---

## Printer Setup

---

### Power Switch

Located on the front of the printer (AY1137X1), this switch turns power to the printer ON and OFF. The POWER light will illuminate when the printer is ON.

For additional setup and operation, refer to the instruction manual included with the printer.

---

# Maintenance and Servicing



## Warning

- Avoid splashing mild detergent or weak acid on clothing or skin
- Ensure all piping connections are tight to avoid chemical leakage
- Carefully follow manufacturer's safety instructions on labels of chemical containers and material safety data sheets.



## Caution

Feed water must be disconnected and the system must be depressurized before performing the cell cleaning procedure.

---

## General Cleaning Instructions

Disconnect electrical service to the unit. Wipe exterior surfaces with lightly dampened cloth containing mild soap solution.

---

## Cell Cleaning

1. Disconnect inlet water and depressurize. See "System Depressurization" section.
2. Turn unit OFF. Open right side door and remove pc board cover.
3. Disconnect cable from J2 and snip plastic cable tie located on the inside top of unit.
4. Unscrew and remove the cell by turning the gray bushing counterclockwise. Carefully remove O-ring to clean the cell.
5. Wash the cell in a mild detergent solution or a 10% inorganic acid solution (follow acid manufacturer's recommended handling procedure). This may be done in an ultrasonic cleaner or with a soft brush.
6. Thoroughly rinse the cell in deionized or distilled water following the detergent or acid cleaning.
7. After cleaning, check the o-ring; replace if necessary.
8. Reinstall the cell into the cell well and hand tighten.
9. Reroute the cable and reconnect to J2 on circuit board.
10. Replace pc board cover and close door.
11. Reconnect water and turn unit ON.



**Note**

The cleaning timer will display after six months, reminding you to clean the unit. Complete the system cleaning procedure and reset the cleaning timer according to the “Resetting the Cleaning Timer” section in this manual.



**Warning**

Disconnect from the power supply prior to maintenance and servicing.



**Warning**

Refer servicing to qualified personnel.



**Warning**

Avoid splashing cleaning solution on clothing or skin.

Ensure all piping connections are tight to avoid leakage.

Ensure adequate ventilation.

Carefully follow manufacturer’s safety instructions and material safety data sheets.

This device to be used with water feeds only.

Cleaning agents must be used in compliance with instructions in this manual. Failure to comply with the above could result in explosion and personal injury.

## System Cleaning

It is best to perform cleaning procedures early in the afternoon. After cleaning is complete (approximately 3.5 hours), place the unit into its normal (recirculation) mode to allow the system to recirculate overnight after cleaning.

1. (If you have installed an Accudispense volumetric remote dispenser, place it in manual mode.) From the (Idle) mode, press the UP or DOWN arrow until the display reads, “Clean Unit?”
2. Press ENTER.
3. Display will prompt, “Disconnected Inlet Water (NO).”
4. Disconnect feed water supply at the quick-disconnect inlet valve.
5. Press the UP or DOWN ARROW to select (YES) and then press ENTER. Display will now prompt, “Injected Cleaner (NO)?”
6. Remove solution syringe from wrapper.
7. Open front (left side) door. Remove luer cap on system injection port, located on the right side of the cartridge pack manifold by turning counterclockwise.
8. Remove the syringe luer cap and attach the syringe to the system luer fitting.
9. Slowly inject the solution into the system and remove syringe. Avoid injecting air into system.
10. Replace luer cap on injection port. Close door.
11. Press the UP or DOWN arrow to select (YES) and then press ENTER. Display will now read, “Reconnected Water (NO).”
12. Attach feed water supply removed in step 4.
13. Press the UP or DOWN arrow to select (YES)

and press ENTER. Display will now read, "Unit Cleaning."

14. Unit may now be left unattended until the display reads, "Cleaning Complete: Press ENTER."
15. After cleaning is complete and the user presses "ENTER" the unit will return to the (Idle) mode.
16. Press the START/STOP switch to return the unit to the normal recirculating mode.



### **Warning**

Depressurize system prior to removing cartridge pack.

---

## **System Depressurization**

This should be done prior to removing a cartridge pack. The unit needs to be plugged in and operating to correctly perform this depressurization step.

1. **IMPORTANT:** Disconnect inlet water from the left back of unit.
2. From the (Idle) display, press ENTER.
3. From "Air Purge?" press the UP arrow.
4. From "Depressurize" press the UP arrow to select (YES).
5. Press ENTER. Display will show "System Flushing" and the time remaining as the system depressurizes.



**Warning**

Depressurize system prior to removing cartridge pack.



**Warning**

A full cartridge pack may weigh about 20 lbs. (9 kg).

## Cartridge Pack Replacement

The frequency with which you will need to clean your unit and replace your cartridge pack is dependent on your feed water's characteristics, your purity requirements and your usage. Clean your Nanopure TOC - UV and replace the cartridge pack when the product water purity drops below acceptable levels of resistivity, when organic levels become too high, or if a new 0.2 micron filter clogs rapidly after installation even though the cartridge pack was thoroughly rinsed before the 0.2 micron filter was installed. The simple-to-use cleaning syringe is available from customer service (Catalog Number CMX25). This is used to effect a complete cleaning.

1. Remove the feed water line by depressing the stainless steel thumb pad.
2. Depressurize the system according to "System Depressurization" under the "Maintenance and Servicing" section.
3. Shut power OFF to the unit and disconnect the electrical service to the unit.
4. Open the front (left side) door.
5. Loosen the wing head screws on the cartridge manifold.
6. Remove the exhausted cartridge pack by lifting the unit manifold and pulling the cartridge pack out.
7. Install new cartridge pack, rinse and clean according to the instructions in the "Initial Operation" section.



Figure 15: Cartridge Pack Replacement



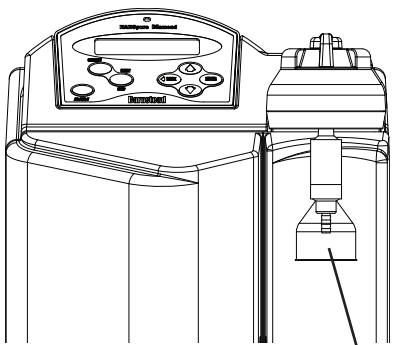
**Caution**

Do not overtighten the 0.2 micron filter or use excessive force in seating it. The filter can be damaged by overtightening or excessive force.



**Note**

If a newly installed 0.2 micron filter clogs rapidly after installation, the Nanopure TOC - UV may need to be cleaned to remove bacterial contaminants. See “System Cleaning.”



0.2 Micron Filter

Figure 16: Replacing 0.2 Micron Final Filter

---

## 0.2 Micron Filter Replacement

Replace the 0.2 micron final filter whenever any of the following conditions occur: the product water flow rate is reduced or bacteria break through. To replace the 0.2 micron filter assembly:

1. Remove the old 0.2 micron filter assembly by turning it counterclockwise until it is free from the dispense arm manifold.
2. Remove the new 0.2 micron filter assembly from the bag and insert it into the dispense arm manifold. Gently turn it clockwise until it is fully seated.
3. Remove the protective cap from the filter bell.
4. Rinse 1-2 liters of water through the filter to drain prior to using the product water.



**Warning**

This unit is equipped with an ultraviolet lamp. Ultraviolet radiation is harmful to the eyes and skin. Do not attempt to observe the lamp directly.



**Note**

The Nanopure TOC - UV display will read “Check UV Lamp” when the lamp is burned out or disconnected.



**Note**

The display will periodically show a reminder to change the lamp. This is a reminder only and does not necessarily mean the UV lamp is no longer functioning.



**Note**

The UV lamp contains mercury. If broken or no longer needed, do not dispose of the UV lamp in the trash. Recycle or dispose of the UV lamp as hazardous waste.



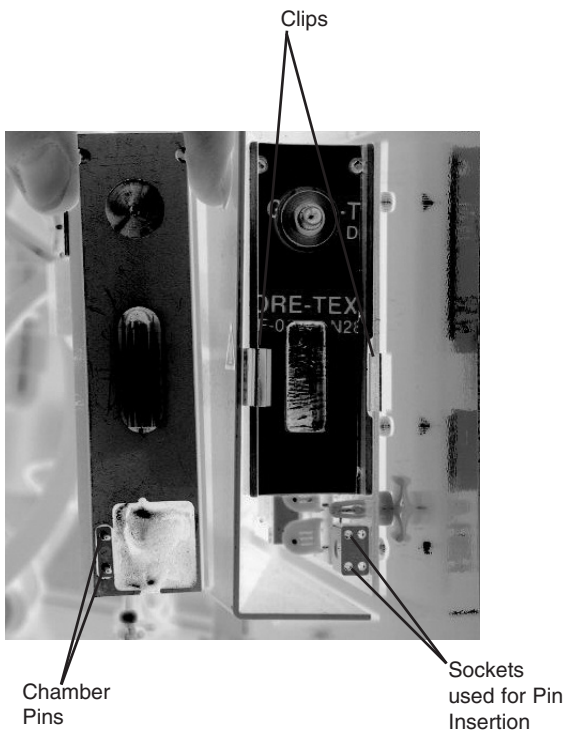
Figure 17: UV Lamp Installation

## UV Lamp Replacement

The ultraviolet lamp requires periodic replacement. Lamp life will vary according to the number of times the Nanopure TOC - UV is turned on and off (the START/STOP mode). Lamp life is based on the Nanopure being operated in the normal recirculating mode during regular working hours and then placed in the Standby mode during off hours. Every fourth time the pump goes on in the Standby mode, the UV light will go on. If the Nanopure TOC - UV is cycled between the normal and Standby modes during the workday, this will result in a shorter lamp life. Therefore, it is recommended that the Nanopure be left in the normal recirculating mode during regular working hours.

**To replace the UV lamp:**

1. Turn the Nanopure TOC - UV OFF and disconnect power cord from unit.
2. Access the left side of the unit by unlatching the screw securing the door with a flathead screwdriver. Unlatch and open the door. The UV lamp will be installed vertically.
3. Remove the black cap by sliding it off the UV chamber. Disconnect and remove old UV lamp and dispose of it in the proper manner (see Note).
4. Remove the UV lamp from its packaging. DO NOT TOUCH THE GLASS PORTION OF THE LAMP! It is recommended that lint-free gloves be worn when handling the lamp. The glass portion must be free of fingerprints, perspiration, etc. Even a light coating of perspiration will reduce the effectiveness of the lamp. If the glass portion of the lamp is touched, clean it with a damp, lint-free cloth: use isopropyl alcohol as required.
5. Insert the lamp halfway into the UV lamp chamber and plug UV cable in, then fully insert the lamp into the chamber.
6. Make sure the UV lamp cable is tucked behind the chamber before closing and relatching the door.



Chamber Replacement

7. Reconnect the power cord. Turn unit ON.
8. Reset UV Timer according to “Resetting the UV Timer.”
9. Operate normally.

---

## TOC Lamp Replacement

1. Place unit in the “Idle” mode.
2. Turn power off. Disconnect the power cord from the power entry module.
3. Open right side door and locate the TOC board at the bottom. The lamp chamber is protruding from the board on the right side.
4. Locate the clips on both sides of lamp chamber. While gently pulling out chamber, wedge a flat head screwdriver between chamber and clips to release chamber.
5. When installing the new lamp chamber, be sure to carefully insert pins of chamber into left side row of sockets on TOC board. See *Chamber Replacement* photo.
6. Finish installing the new lamp chamber by securing with clips. Clips may need to be pushed apart so the chamber will snap back into place.
7. Reconnect power cord and reset the TOC lamp timer. (See “Resetting the TOC Lamp Timer.”)



### Warning

Replace fuses with those of the same type and rating.

---

## Fuse Replacement

1. Turn off the Nanopure TOC - UV and disconnect it from the power supply by removing the power cord directly below the main power switch on right side of unit. Locate the fuse drawer above the power cord receptacle.



2. Pull out the fuse drawer located in the power entry module.
3. Remove old fuses and replace with fuses of the same type and rating. (See “Replacement Parts.”)
4. Replace fuse drawer.
5. Reattach the power cord.
6. Operate normally.

---

## **Shutdown**

If the Nanopure TOC - UV is to be shut down for an extended period of time, the unit should be completely drained and the cartridge pack removed to prevent the growth of bacteria. If the system has remained inactive and full of water for more than 96 hours, the unit should be drained, cleaned and new cartridge pack installed prior to use.

# Troubleshooting

<b>Problem</b>	<b>Possible Causes</b>	<b>Solutions</b>
Nanopure completely inactive (pump and display not operating.)	No electrical power to Nanopure.	Ensure Nanopure power cord is connected to a live power source and completely plugged into electrical outlet as well as power entry module on the unit. Make sure on/off switch is in the "I" (on) position.
	Main fuse(s) blown.	Replace the main fuse(s) as indicated in "Fuse Replacement."
	Power supply fuse blown	Contact customer service concerning power supply fuse replacement.
Reduced or no product flow from the dispense arm or remote dispenser (if attached).	0.2 micron filter clogged.	Replace final filter as indicated in "0.2 Micron Filter Replacement" section.
	Feed water not connected.	Reconnect feed water.
Display reads, "Check Inlet" and pump does not run.	Pump protector (in reservoir), feed water line pressure switch or jumper plug not connected to pump interlock.	Connect the pump protector, jumper plug or pressure switch cord to the receptacle located on the upper left hand section of the Nanopure.
	Insufficient feed water pressure or volume to satisfy the Nanopure.	Open feed water line shut off, connect feed water line to Nanopure and ensure sufficient pressure or sufficient water level in the feed water reservoir).
Display reads, "...MΩ-cm" for more than 10 seconds.	Air in cell.	If you just started your Nanopure, wait 1 minute to see if it corrects itself.
	Bad cell connection.	Check connection of the cell as it attaches to the circuit board.
Recirculated water will not rinse up to desired purity level.	Exhausted cartridge pack.	Replace cartridge pack as indicated in "Cartridge Pack Replacement."
Short cartridge pack life.	Cartridge pack is beyond expiration date.	Check the expiration date. Cartridge packs begin to lose capacity after being stored for 2 years from the date of manufacture. Replace the cartridge pack with an unexpired one.

<b>Problem</b>	<b>Possible Causes</b>	<b>Solutions</b>
	Poor quality feed water.	<p>If a Barnstead ROpure is the feed water source, check that the membrane is functioning properly.</p> <p>If a Barnstead Still is the feed water source, ensure that the distillate temperature to the Nanopure does not exceed 40°C (104°F).</p> <p>If feed water is from a central water purification system, verify water quality and proper functioning of the system. See “General Specifications.”</p>
The display periodically reads, “Check UV Bulb.”	UV lamp not connected properly.	Check to ensure lamp is connected properly.
	UV lamp burned out.	Replace the UV lamp as described in “UV Lamp Replacement.”
Purity display continuously “OVERRANGE.”	Air in system.	Dispense more water through the Nanopure to purge air from the unit.
	Bad cell connection.	Check the connection of the cell as it attaches to the meter circuit board mounted on the inside of the right door.
	Incorrect N.I.S.T. calibration offset.	<p>If you have a N.I.S.T. module, perform a N.I.S.T. calibration.</p> <p>If you do not have a N.I.S.T. module, perform the calibration function WITHOUT the calibration module (as if you had it; answer (YES) to prompt. The display will read “Calibration (failed)” but this will clear any incorrect offset to zero.</p>
Display reads, “Overpressure Error.”	0.2 micron filter clogged.	Replace final filter as indicated in “0.2 Micron Filter Replacement.”
	Solenoid failure.	Replace BK1367X1
	Kinked tubing.	Check tubing for kinks – including tubing for manual or Accudispense accessory.

## TROUBLESHOOTING

<b>Problem</b>	<b>Possible Causes</b>	<b>Solutions</b>
Display reads, "Meter Board Problem."	PC board communication error.	Turn the Nanopure OFF (I/O Switch) and restart the unit.
	System electronics failure.	Replace the resistivity meter board mounted on the inside of the right door.
Water is leaking between the manifold and the cartridge pack.	Wing head screws are not tight enough.	Tighten wing head screws on unit manifold.
	New cartridge pack: o-ring missing from post (each of the 4 posts must contain an o-ring.)	Disconnect inlet water and depressurize system. Next, disconnect the manifold and verify/replace missing o-ring. Reinstall cartridge pack as indicated in "Cartridge Pack Replacement."
	Debris on o-ring or bottom of unit manifold.	Inspect o-rings and bottom of unit manifold. Remove any objects with a lint-free cloth.
Water is leaking at atmospheric drain connection	Tubing not fully inserted.	Insert tubing into connection until it bottoms out.
Upon system startup, the message "TOC Comm. Error: (0A)" is displayed.	PC board communication	Turn the NANOpure OFF (I/O Switch) and restart the unit.
No TOC reading displayed.	TOC analyzer not activated.	Set "Use TOC Analyzer" to YES.
The display periodically reads <Error 11> but TOC timer has not reached zero.	TOC lamp is burned out or intensity is insufficient.	Replace TOC lamp. (See "TOC Lamp Replacement")
<b>Display reads, "&lt;TOC Error&gt;"</b>		
001	TOC memory error.	Cycle power, replace TOC Analyzer if it continues.
002	TOC communications error.	Cycle power.

005, 007	TOC sensor error.	Cycle power, replace TOC Analyzer if it continues.
006	Shorted TOC resistivity sensor.	Cycle power and place TOC analyzer in hour long clean mode (under Diagnostics); if still shorted, replace TOC Analyzer.
011	TOC UV lamp error.	Verify TOC lamp is connected. Replace TOC lamp (See “TOC Lamp Replacement”)
All other error codes.		Contact technical customer service.

---

# Replacement Parts

---

## Recommended Spares

---

### Consumables

Consumable parts are those required to support the day-to-day operation of this equipment. We established two types of consumables; those items that must periodically be replaced to maintain performance (filters, resin cartridges, etc.) and other items of limited life (indicator lights, fuses, etc.) that you can expect to replace on a more or less random basis. Where practical, we recommend the frequency of replacement, or provides information on life expectancy from which you may calculate a replacement interval compatible with your usage pattern. The replacement of consumable parts is discussed in the Maintenance and Servicing section to assist you in accomplishing your own service.

Consumables may be ordered separately and in some cases, as an expendables kit. Check with your customer service representative for additional information on the expendables kit.

<u>Description</u>	<u>Catalog No.</u>	<u>Recommended Quantity</u>
<b>Diamond Kit Organic Free R/O &amp; Distilled Feed</b>	D50280	1
<b>Diamond Kit Organic Free Deionized Feed</b>	D50281	1
Final Filter	D3750	2
Main Fuse, 120 Volt - Slow Blow, 1.6 Amp, 250V	FZX47	2
Main Fuse, 230 Volt - Type T Time Lag, 0.63 Amp, 250V	FZX54	2
PTFE Tape, Roll	06078	1
UV Lamp	LMX13	2
Transformer Fuse, Type F Fast-Acting, 3.15 Amp, 250 V	AZ9027	1
Cleaning Solution	CMX25	2
TOC Analyzer Lamp	LMX26	1

---

### General Maintenance Parts

General maintenance parts are defined as laboratory level repair parts which do not require great expertise or special tools for installation. We recommend that you stock the general maintenance parts as an aid to ensuring the continued operation of this equipment.

<u>Description</u>	<u>Catalog No.</u>	<u>Recommended Quantity</u>
Quick Disconnect Inlet	CUX11	1
Quick Disconnect Insert 3/8" tube	CUX9	1
Cartridge Pack O-Rings	GSX68	4

---

## Safety Stock

For critical applications where performance with minimum downtime is required, we recommend that you maintain a local stock of those parts listed in the General Maintenance Parts and Safety Stock sections.

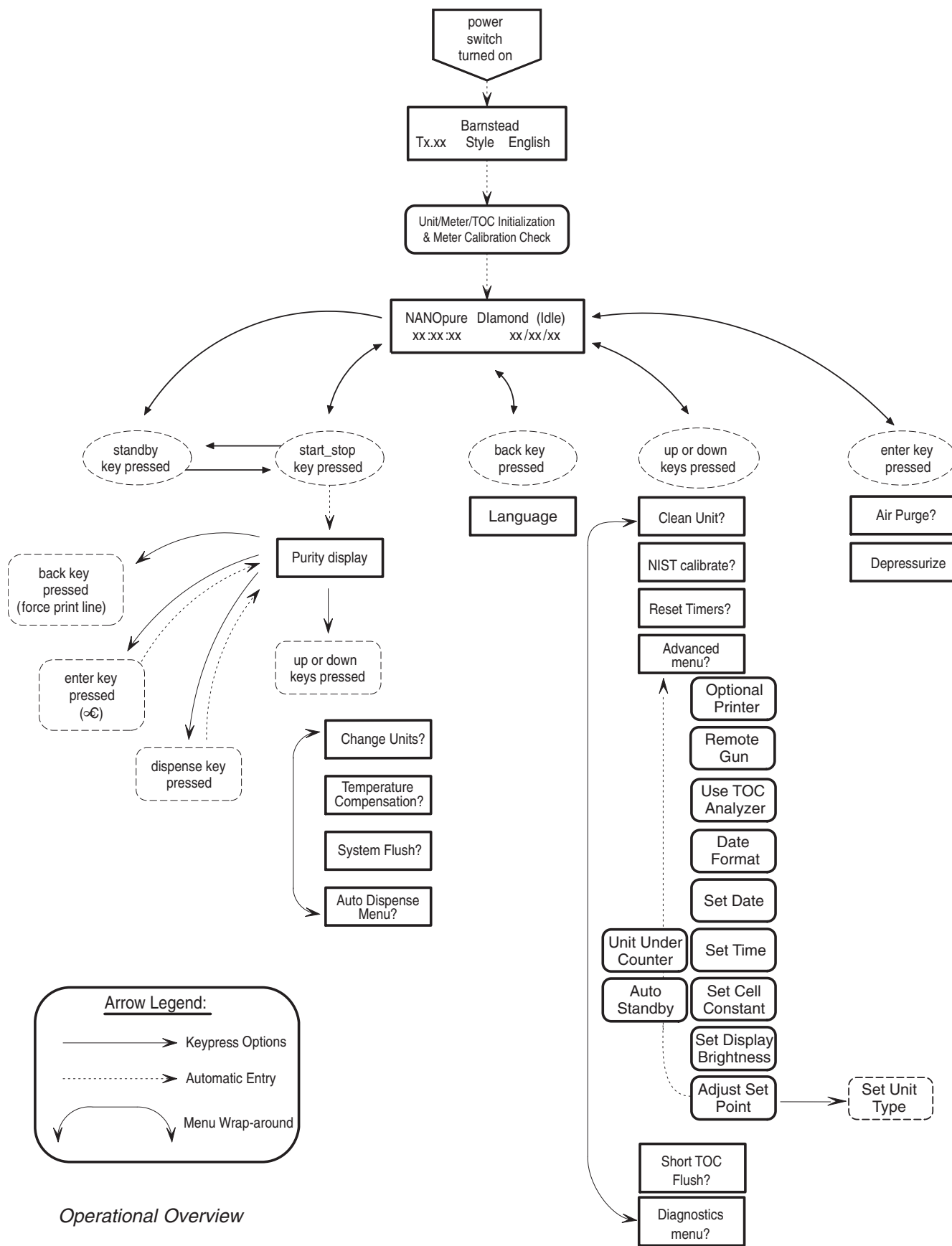
<u>Description</u>	<u>Part No.</u>	<u>Recommended Quantity</u>
Display	SW1190X2	1
External Display cable (Remote Display Use)	WHX20	1
Main Control Board (D11951)	PC1195X1	1
Main Control Board (D12421)	PC1242X1	1
Recirculation Pump & Motor	PU1190X1	1
Pressure Regulator	PM1190X1	1
Resistivity Cell	E896X4	1
Solid State Ballast UV	TN2113X1	1
Quartz Sleeve, UV Lamp	TU733X1	1
Power Supply PC Board	TNX116	1
Calibration PC Board	PC1190X2	1
Resistivity Meter PC Board	PC896X2	1
Check Valve	PMX214	1
Wire Harness, UV Bulb	WH1191X1	1
Flow Sensor	ME1190X1	1
Flush Solenoid	RY1190X3	1
Cartridge Pack Manifold	BK1190X3	1
Dispenser Manifold w/Solenoid	BK1367X1	1
Dispense Switch	SW1190X1	1
Cell O-ring	GSX29	1
TOC Analyzer	PCX54	1

---

## Optional Accessory Ordering Information

<u>Description</u>	<u>Catalog No.</u>
N.I.S.T. Calibration Module	E896X5
Low-Pressure Switch	D2706
Float Switch	D8964
Remote Dispenser (Manual)	D11981
Accudispense Volumetric Remote Dispenser	D13661
Dispense Overflow Cutoff Float	AY1367X1
Serial Cable for Communication with Computer	WHX18
Printer	AY1137X1
Printer Replacement Paper Roll	AY669X4
Bench Top Display Holder	AY1367X2

# Flow Chart







---

# Ordering Procedures

Please refer to the Specification Plate for the complete model number, serial number, and series number when requesting service, replacement parts or in any correspondence concerning this unit.

All parts listed herein may be ordered from the **Thermo Scientific** dealer from whom you purchased this unit or can be obtained promptly from the factory. When service or replacement parts are needed we ask that you check first with your dealer. If the dealer cannot handle your request, then contact our Customer Service Department at 1-866-9-thermo.

Prior to returning any materials, please contact our Customer Service Department for a "Return Materials Authorization" number (RMA). Material returned without an RMA number will be refused.

---

---

# Two Year Limited Warranty

This Thermo Scientific product is warranted to be free of defects in materials and workmanship for two (2) years from the first to occur of (i) the date the product is sold by the manufacturer or (ii) the date the product is purchased by the original retail customer (the "Commencement Date"). Except as expressly stated above, the MANUFACTURER MAKES NO OTHER WARRANTY, EXPRESSED OR IMPLIED, WITH RESPECT TO THE PRODUCTS AND EXPRESSLY DISCLAIMS ANY AND ALL WARRANTIES, INCLUDING BUT NOT LIMITED TO, WARRANTIES OF DESIGN, MERCHANT ABILITY AND FITNESS FOR A PARTICULAR PURPOSE.

An authorized representative of the manufacturer must perform all warranty inspections. In the event of a defect covered by the warranty, we shall, as our sole obligation and exclusive remedy, provide free replacement parts to remedy the defective product. In addition, for products sold within the continental United States or Canada, the manufacturer shall provide free labor to repair the products with the replacement parts, but only for a period of ninety (90) days from the Commencement Date.

The warranty provided hereunder shall be null and void and without further force or effect if there is any (i) repair made to the product by a party other than the manufacturer or its duly authorized service representative, (ii) misuse (including use inconsistent with written operating instructions for the product), mishandling, contamination, overheating, modification or alteration of the product by any customer or third party or (iii) use of replacement parts that are obtained from a party who is not an authorized dealer of Thermo Scientific products.

Heating elements, because of their susceptibility to overheating and contamination, must be returned to the factory and if, upon inspection, it is concluded that failure is due to factors other than excessive high temperature or contamination, the manufacturer will provide warranty replacement. As a condition to the return of any product, or any constituent part thereof, to the factory, it shall be sent prepaid and a prior written authorization from the manufacturer assigning a Return Materials Number to the product or part shall be obtained.

IN NO EVENT SHALL THE MANUFACTURER BE LIABLE TO ANY PARTY FOR ANY DIRECT, INDIRECT, SPECIAL, INCIDENTAL, OR CONSEQUENTIAL DAMAGES, OR FOR ANY DAMAGES RESULTING FROM LOSS OF USE OR PROFITS, ANTICIPATED OR OTHERWISE, ARISING OUT OF OR IN CONNECTION WITH THE SALE, USE OR PERFORMANCE OF ANY PRODUCTS, WHETHER SUCH CLAIM IS BASED ON CONTRACT, TORT (INCLUDING NEGLIGENCE), ANY THEORY OF STRICT LIABILITY OR REGULATORY ACTION.

For the name of the authorized Thermo Scientific product dealer nearest you or any additional information, contact us:

2555 Kerper Blvd., Dubuque, Iowa, 52004-0797

Phone: 1-866-9-thermo

Fax: 563-589-0516

E-mail: [mkt@thermofisher.com](mailto:mkt@thermofisher.com)

Web: [www.thermo.com](http://www.thermo.com)